

POSITIVE PRESSURE SELECTION GUIDE

What is the size of your home (m ²)?	Would you like the Evolve temperature and humidity sensor capabilities and Tablet?	How many rooms do you wish to distribute to?	SmartVent System	Order Codes
Up to 70m ²	-	1	SV01C	FAN2023
		2 - 3	Extension Kit	DCT2276
Up to 100m ²	Yes	1	SV01 (no controller)	FAN1056
		2	SV02E	FAN2113
	No	3	Extension Kit	DCT2276
		2	SV02	FAN0939
Up to 280m ²	Yes	3	Extension Kit	DCT2276
		4	SV04E	FAN2115
	No	5 - 6	Extension Kit/s	DCT2276
		4	SV04	FAN1057
Up to 560m ²	Yes	5 - 6	Extension Kit/s	DCT2276
		6	SV06E	FAN2117
	No	7 - 12	Extension Kit/s	DCT2276
		6	SV06	FAN1064
		7 - 12	Extension Kit/s	DCT2276

IMPORTANT

If you exceed the number of rooms listed in the selection guide above, the performance of the system. For the SV06 systems, a total of 6 extension kits can be added, however do not exceed 3 extension kits per branch of the system.

Kit	SV01	SV01C	SV02	SV02E	SV04	SV04E	SV06	SV06E	
Second Air Source Kit	-	DCT2134	DCT2134		DCT2128		DCT2135		
Outdoor Air Supply Kit	FAN6264	FAN6264	FAN6264		-		-	-	
Heat Transfer Kit	-	-	FAN2027		FAN2028		FAN2028 (1 branch) FAN4438 (both branches)		
Tempering Heater	1 kW	DCT2123	DCT1226	DCT1226	DCT3478	DCT1483	DCT3231	DCT1483	DCT3231
	2 x 1 kW	-	-	-	-	-	-	DCT1491*	DCT3418*
	2 kW	-	-	-	-	DCT1484	DCT3230	DCT1484	DCT3230
Digital PTC Room Heater	1.6 kW	DCT4039**	DCT4039**	DCT4039**	-	DCT4039**	-	DCT4039**	-
	2.4 kW	DCT4040**	DCT4040**	DCT4040**	-	DCT4040**	-	DCT4040**	-
Evolve PTC Room Heater	1.6 kW	-	-	-	DCT4037	-	DCT4037	-	DCT4037
	2.4 kW	-	-	-	DCT4038	-	DCT4038	-	DCT4038
Additional Fan Kit – 150mm	-	FAN5836	FAN5836		FAN5836		-	FAN5836	
Additional Fan Kit – 200mm	-	FAN5837	FAN5837		FAN5837		-	FAN5837	

* DCT1491 / DCT3418 consist of 2 x 1kW units for installation into each branch of an SV06/E system.

** When adding more than one PTC Room Heater into the digital system contact Simx Technical Support for advice on 09 259 1660 **BEFORE PLACING ORDER.**

Additional Information

These recommendations are based on the standard components in the system.

This selection guide assumes 2.4m stud height, if greater please increase the square metre size by 4% for every 0.1m of additional stud height. For example for a 2.8m stud height, increase your house size by 16%.

This selection guide assumes that there is sufficient ceiling space to install all componentry. If you choose to exceed the number of rooms listed in the selection guide above, the performance of the system can not be guaranteed. For the SV06 systems, a total of 4 extension kits can be added. However, please do not exceed 2 extension kits per branch of the system.

General enquiries ph: 0800 140 150
Technical support ph: 09 259 1662

Distributed by: Simx Limited
Simx reserves the right to alter technical specifications without prior warning.

PUB1299 Iss03 06/16

0800 140 150

enquiry@smartvent.co.nz
www.smartvent.co.nz



Scan QR code for more details on SmartVent systems.

Installation Guide



SmartVent POSITIVE

This installation guide is intended for the installation of the following SmartVent models:

SV01

SV01C

SV02

SV04

SV06

SV02E

SV04E

SV06E

Setup guides for the controller are supplied separately dependent on controller type.

Definitions

Before use please read and understand these definitions.



WARNING and or the use of the symbol refers to conditions where the possibility of injury or death exists if the procedure is not followed.

CAUTION CAUTION indicates the possibility of damage to the equipment, installation or premises if a procedure is not followed.

NOTE: NOTE: provides additional information intended to clarify points, procedures or instructions.

- The appliance is not to be used by persons (including children) with reduced physical, sensory or mental capabilities, or lack of experience and knowledge, unless they have been given supervision or instruction
- Children should be supervised so that they do not to play with the appliance.
- Ensure that the fan is switched off from the supply mains before removing the guard.
- The fan is to be installed so that the blades are more than 2,1 m above the floor
- Precautions must be taken to avoid the back-flow of gases into the room from the open flue of gas or other fuel-burning appliances.
- Isolator switch must be incorporated in the fixed wiring in accordance with AS/NZS wiring rules.

CAUTION: In order to avoid a hazard due to inadvertent resetting of the thermal cut-out, this appliance must not be supplied through an external switching device, such as a timer, or connected to a circuit that is regularly switched on and off by the utility

Warnings

Read all instructions carefully before commencing installation.

Switch off mains supply before making any electrical connections.

All wiring should be performed by a registered electrical contractor and comply with local wiring regulations. This appliance is not intended for use by young children or infirm persons without supervision.

Pre-install check

Identify rooms

Identify the room/s that require the most ventilation. If installing a Heat Transfer upgrade, identify your heat source room.

Ceiling integrity

Ceiling penetrations/openings (i.e. access hatch, open backed down lights) between the living spaces and roof space reduce the effectiveness of the system. Where possible these should be sealed.

Roof space integrity

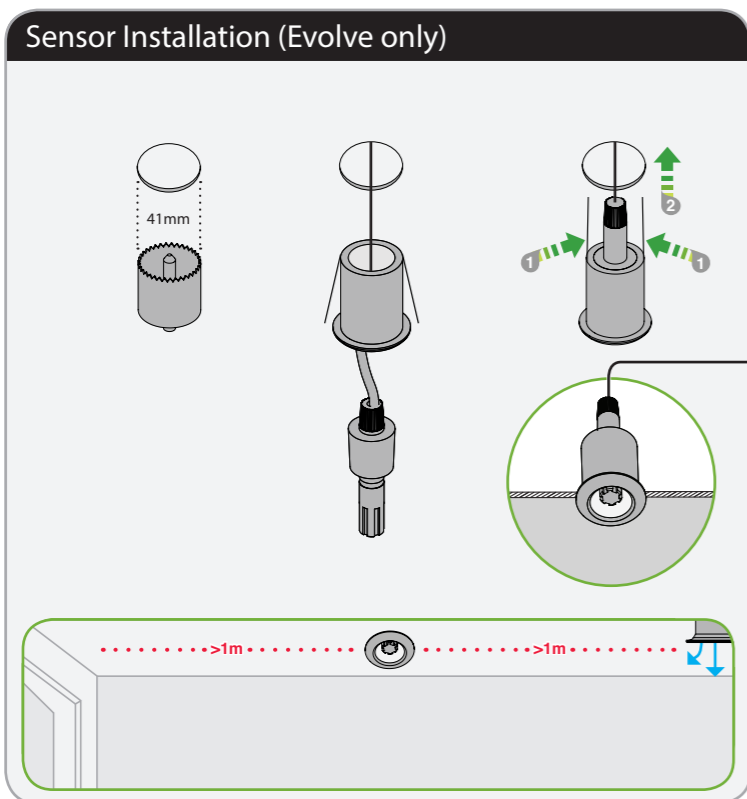
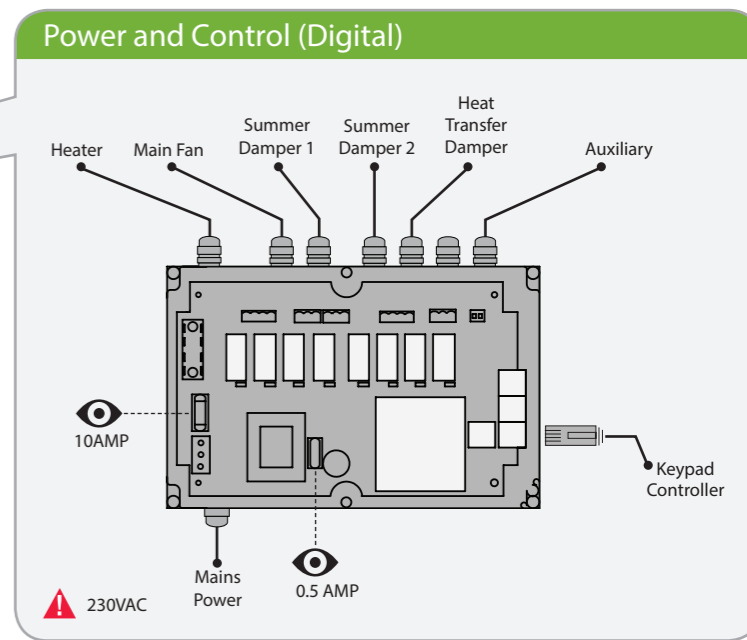
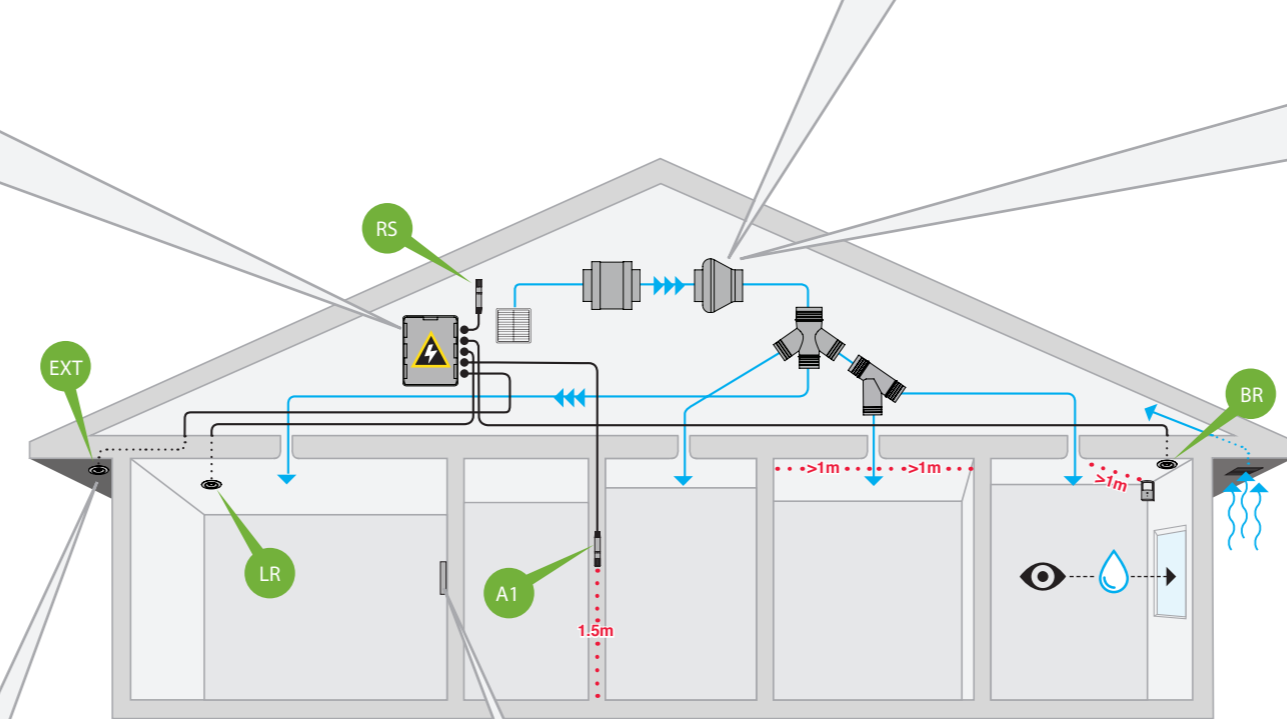
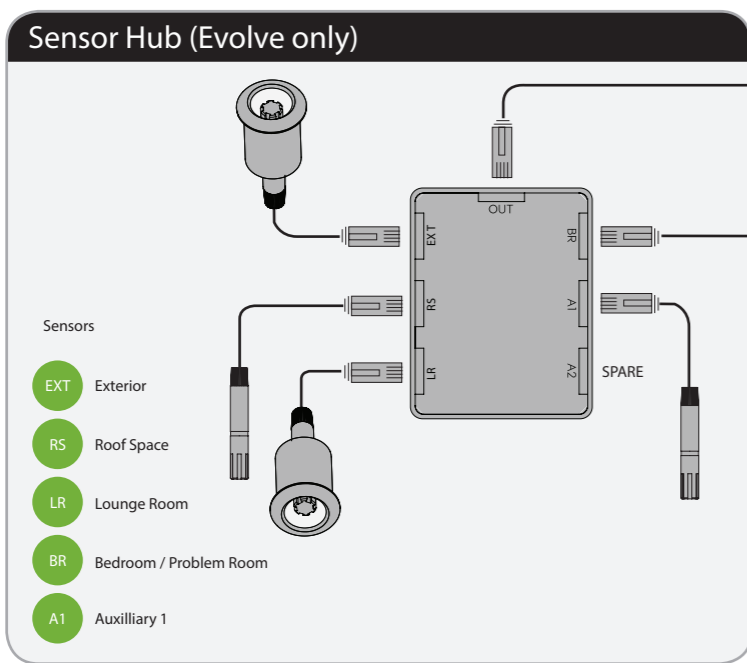
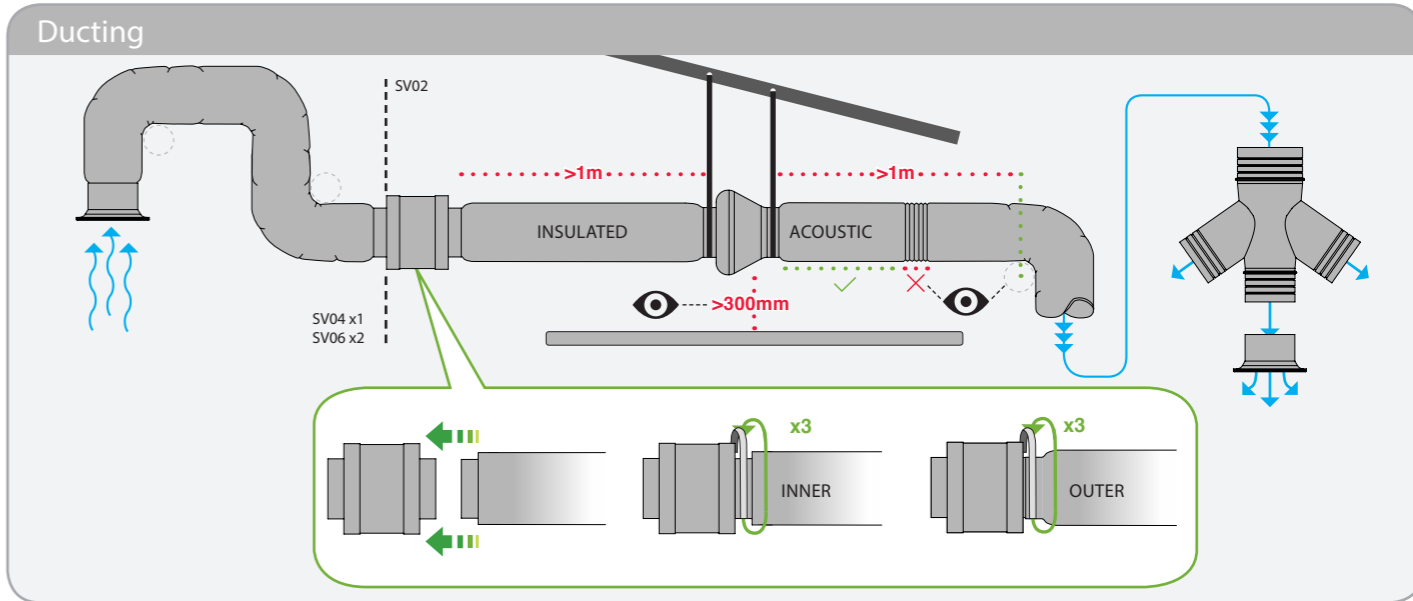
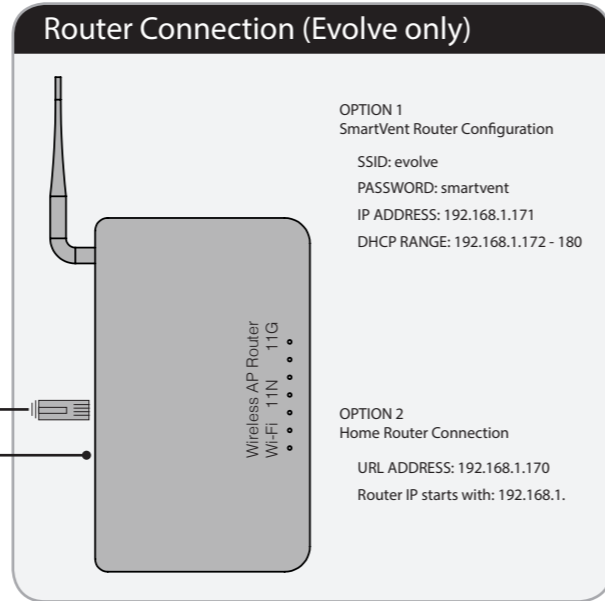
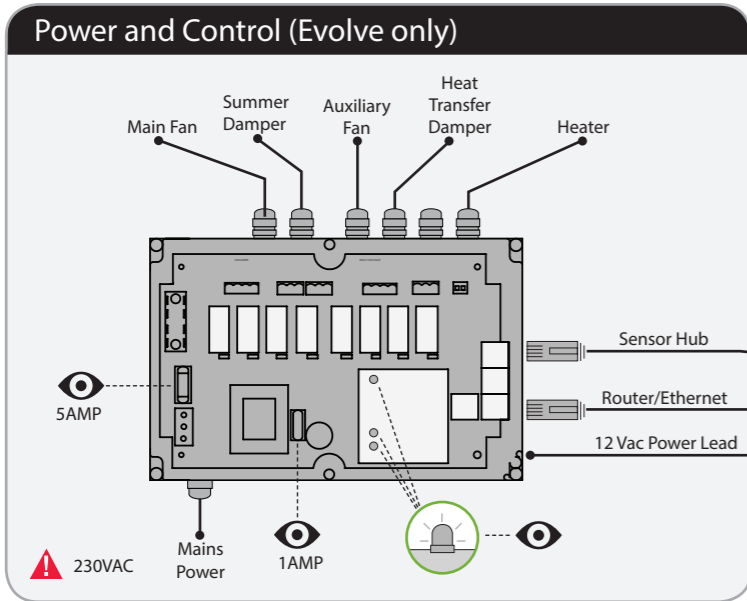
The roof space MUST be inspected to ensure it does not have any conditions that may cause the system to draw moisture into the home. Conditions may include: Roof leaks / Tile roofs requiring re-coating / Open wall cavities / Gutter leaks or other building envelope leaks.

Fan location

The fan is designed to be suspended from the rafters to avoid vibration or resonance. Hanging straps are provided. Avoid installation near or over bedrooms.

Existing extraction

Bathroom, kitchen and dryer extract fans must be exhausted to the outside of your house and not into the roof cavity.



- Check
- Filter
- Fan
- Branch
- Air Flow
- Moisture

Digital

SmartVent

Evolve

Scan QR code for more details on SmartVent systems.

